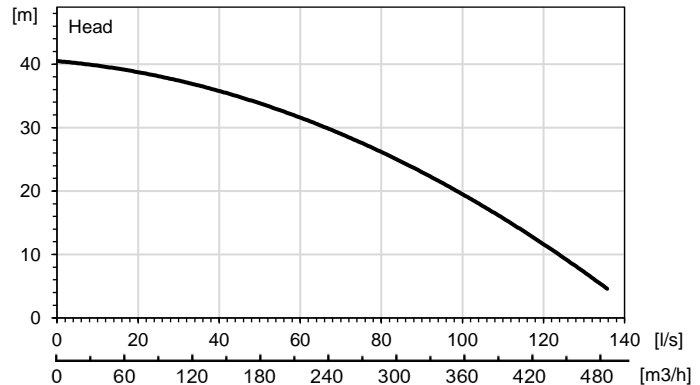


DESCRIPTION

50 Hz



*Referential image



50 Hz

MD

| | |
|------------------------|------------------|
| Power , [kW / HP] | 47 / 63 |
| Voltage, V | 380 / 400 / 500 |
| Nominal current, A | 117 / 111,2 / 89 |
| Weight, kg | 1100 |
| Max. height, mm | 1805 |
| Max. width, mm | 876 |
| Discharge, in | 8" |
| Strainer opening Ø, mm | 42 |

Electric submersible slurry pump, available in various cast iron and stainless-steel alloys. For applications in mines and industries that handle abrasive solids and slurries.

Modelos:

MD: Medium Duttty

Classification

Submersible slurry pump

Electric motor

Three-phase squirrel cage motor
Speed: 1450 RPM
Insulation class: H
Start: Star-Delta, Soft Starter
Max. number of starts per hour: 12

Motor protection

Thermo-contacts in the winding
Protection: IP 68

Cable

4G35 + 2x1.5mm², 20m. (*)

This pump must be connected to an external electrical cabinet with adequate protections.

Mechanical seals

Double mechanical seal in oil chamber.
Rotary seal material: silicon carbide.
Stationary seal material: silicon carbide.
Elastomers: Viton.

Discharge connection

8". (*)

Limitations

Maximum submersion: 20 m.
Maximum liquid temperature: 40 °C (104 °F)
Liquid pH range: 6 – 11.

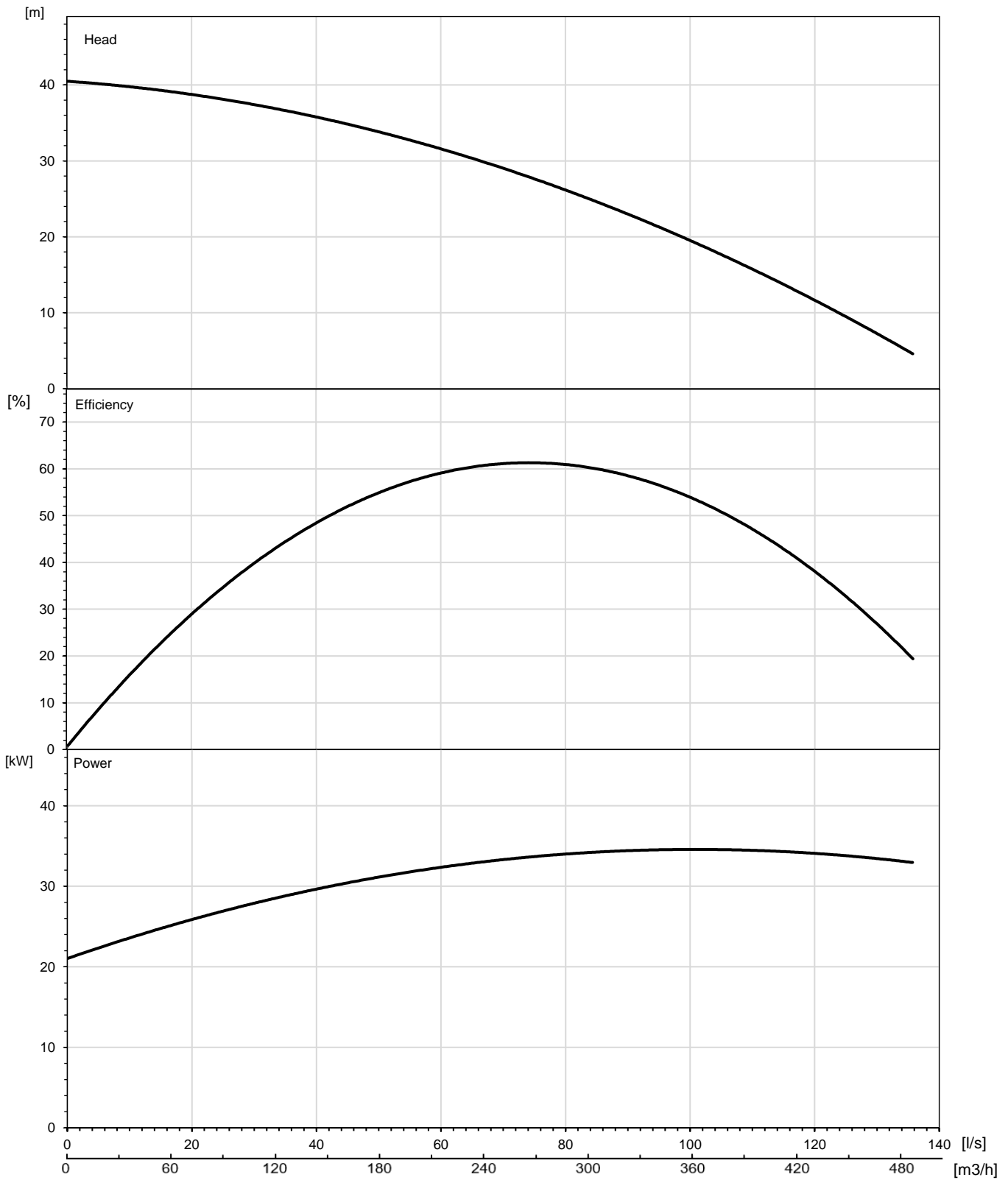
Available material

Cover: Cast iron.
Strainer: Carbon steel.
Impeller: High chrome steel / Stainless steel.
Agitator: High chrome steel.
Wear plate: High chrome steel.
Cover suction: Cast iron.
Casing / volute: Cast iron.
Shaft: AISI 431 Stainless steel.
Screws / Nuts: Stainless steel.

**Specifications may be modified without prior notice*

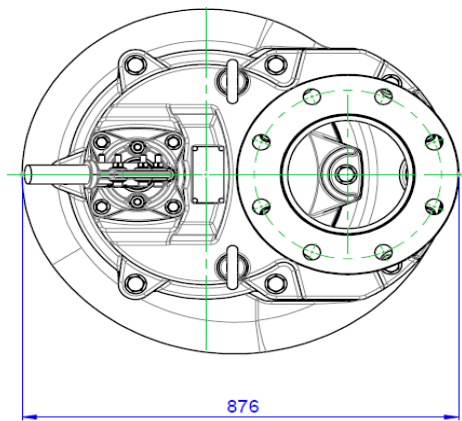
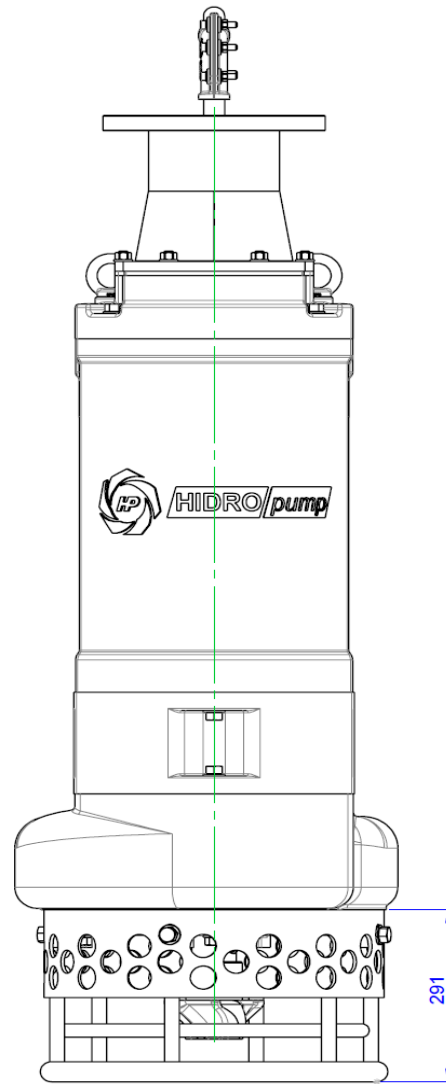
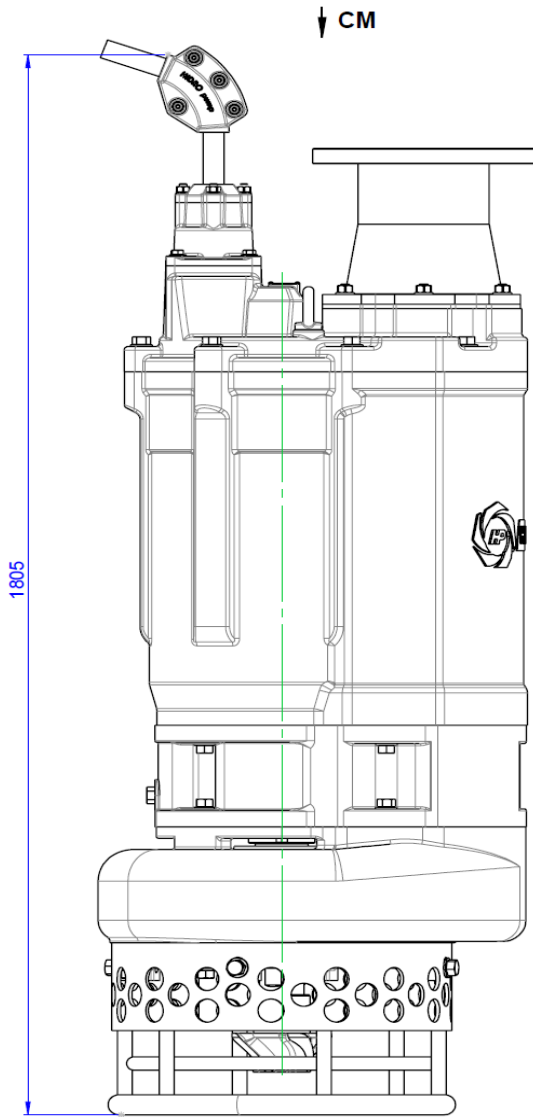
Performance curves

50 Hz



Curve: ISO 9906

MD



VISTA CM

NOTE:
-REFERENTIAL MEASURES.
-DESCARGUE ON REQUEST.