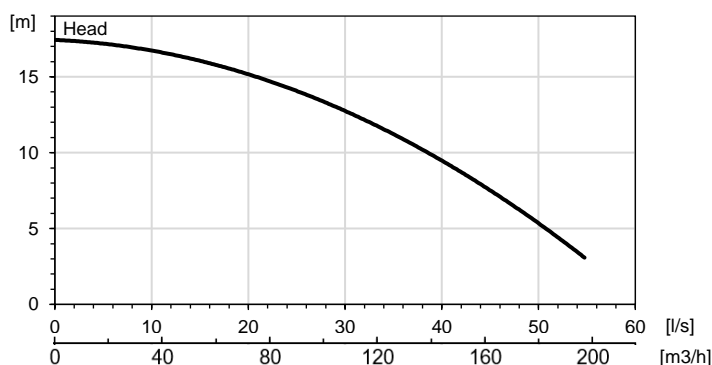


DESCRIPTION

50 Hz



*Referential image



50 Hz

MD

Power , [kW / HP]	11 / 15
Voltage, V	380 / 400 / 500
Nominal current, A	23,5 / 22,3 / 17,9
Weight, kg	303
Max. height, mm	1221
Max. width, mm	583
Discharge, in	4"
Strainer opening Ø,mm	33

Electric submersible slurry pump, available in various cast iron and stainless-steel alloys. For applications in mines and industries that handle abrasive solids and slurries.

Model:

MD: Medium Duttu

Classification

Submersible slurry pump

Electric motor

Three-phase squirrel cage motor
Speed: 1450 RPM
Insulation class: H
Start: Direct
Max. number of starts per hour: 12

Motor protection

Thermo-contacts in the winding
Protection: IP 68

Cable

4G10 + 2x1.5mm², 20m. (*)

This pump must be connected to an external electrical cabinet with adequate protections.

Mechanical seals

Double mechanical seal in oil chamber.
Rotary seal material: silicon carbide.
Stationary seal material: silicon carbide.
Elastomers: Viton.

Discharge connection

4", (*)

Limitations

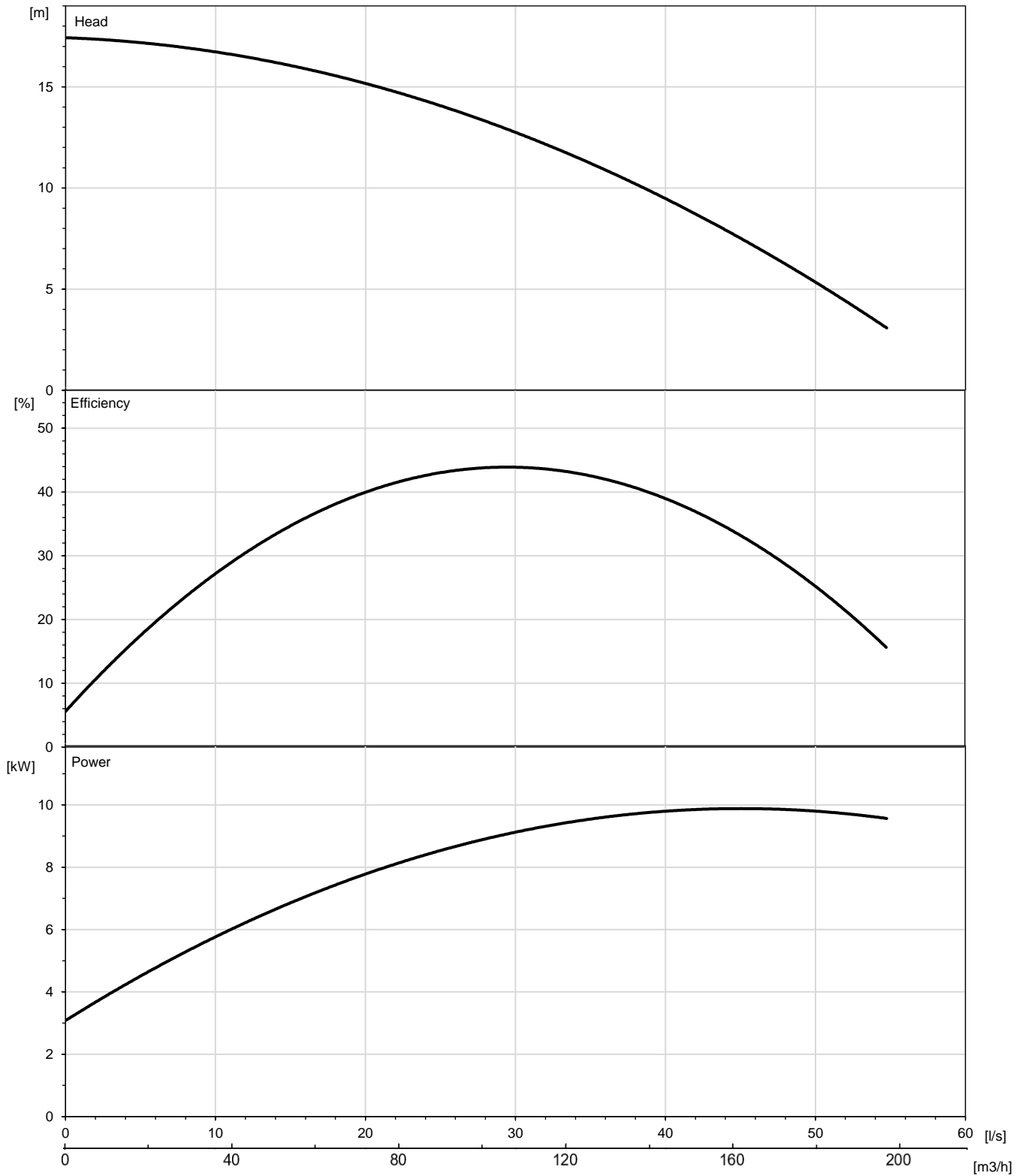
Maximum submersion: 20 m.
Maximum liquid temperature: 40 °C (104 °F)
Liquid pH range: 6 – 11.

Available materials

Cover: Cast iron
Strainer: Carbon steel.
Impeller: High chrome steel/ Stainless steel.
Agitator: High chrome steel.
Wear plate: High chrome steel.
Cover suction: Cast iron.
Casing/volute: Cast iron.
Shaft: Stainless steel AISI 431.
Screws/Nuts: Stainless steel.

Performance curves

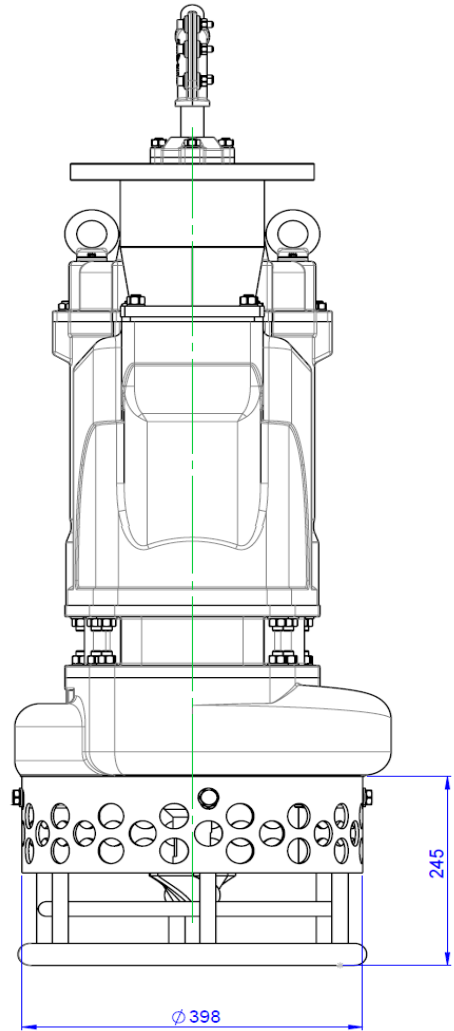
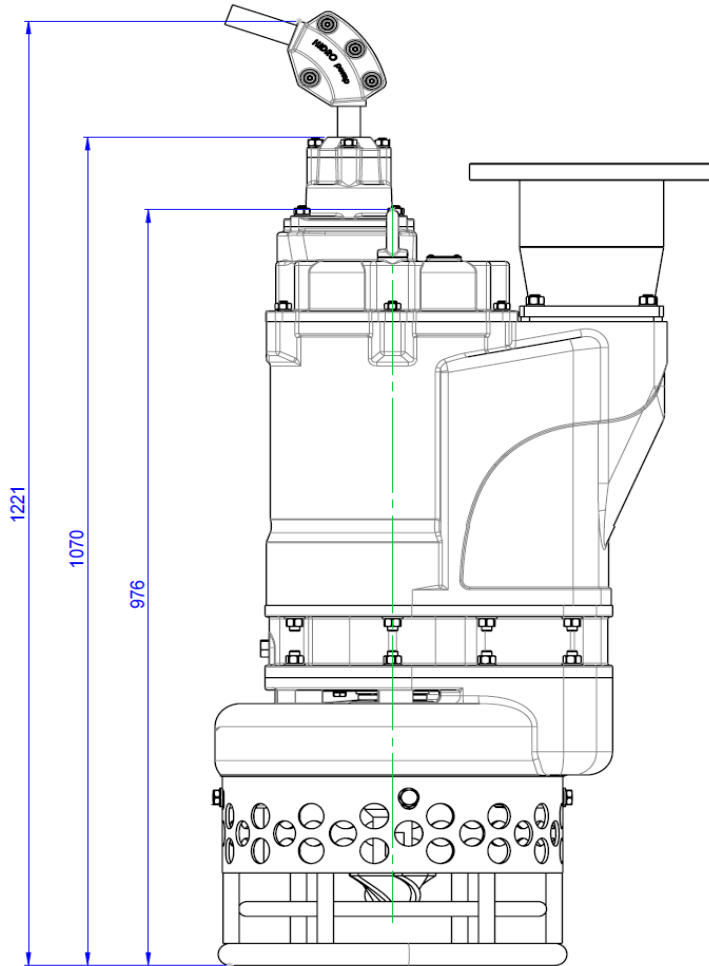
50 Hz



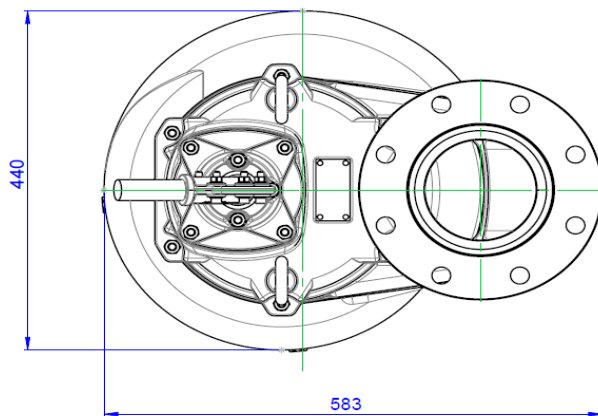
Curve: ISO 9906

MD

↓ CM



VISTA CM



NOTA:
-REFERENTIAL MEASURES.
-DESCARGUE ON REQUEST.