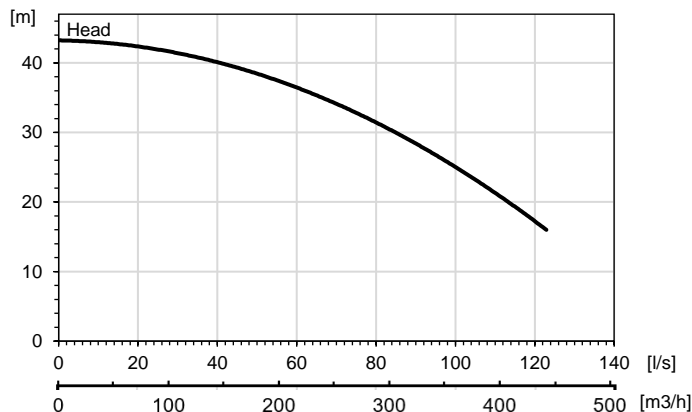


**DESCRIPTION**

**50 Hz**



\*Referential image



**50 Hz**

**MD**

Power , [kW / HP]	60 / 80
Voltage,V	380 / 400 / 500
Nominal current, A	150,9 / 143,4 / 114,7
Weigth, kg	1215
Max. height, mm	1850
Max. width, mm	990
Discharge, in	8"
Strainer opening Ø,mm	45

Electric submersible slurry pump,available in various cast iron and stainless-steel alloys.For applications in mines and industries that handle abrasive solids and slurries.

**Model:**

MD: Medium Duttty

**Classification**

Submersible slurry pump

**Electric motor**

Three-phase squirrel cage motor  
Speed: 1450 RPM  
Insulation class: H  
Start: Star-Delta, Soft Starter  
Max. number of starts per hour: 12

**Motor protection**

Thermo-contacts in the winding  
Protection: IP 68

**Cable**

2 cables 4G35 + 2x1.5mm<sup>2</sup>, 20m . (\*)

*This pump must be connected to an external electrical cabinet with adequate protections.*

**Mechanical seals**

Double mechanical seal in oil chamber.  
Rotary seal material: silicon carbide.  
Stationary seal material: silicon carbide.  
Elastomers: Viton.

**Discharge connection**

8". (\*)

**Limitations**

Maximum submersion: 20 m.  
Maximum liquid temperature: 40 °C (104 °F)  
Rango de pH líquido: 6 – 11.

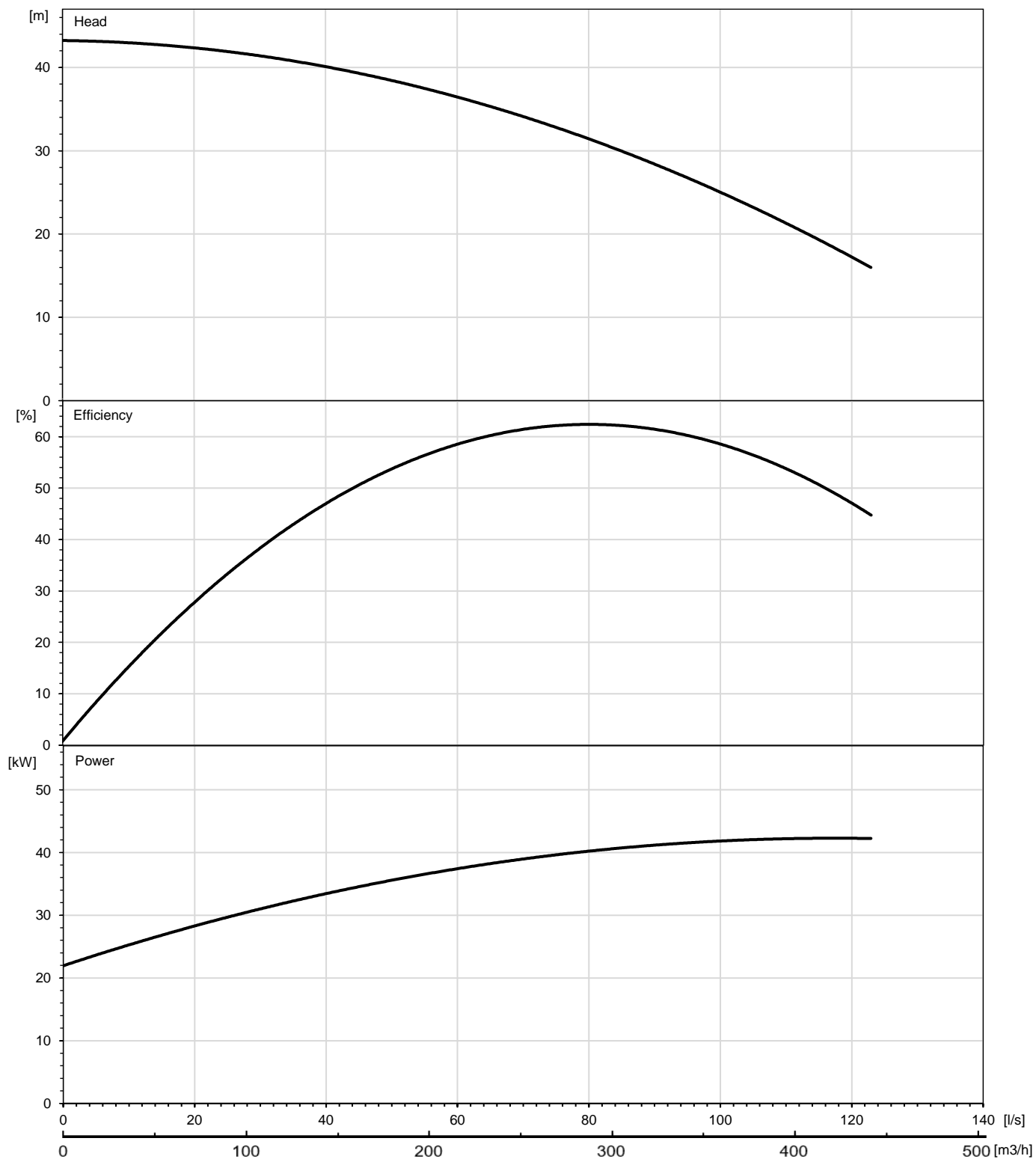
**Available materials**

Cover: Cast iron.  
Strainer: Carbon steel.  
Impeller: High chrome steel / Stainless steel.  
Agitator: High chrome steel.  
Wear plate: High chrome steel.  
Cover suction: Cast iron.  
Casing / volute: Cast iron.  
Shaft: AISI 431 Stainless steel.  
Screws / Nuts: Stainless steel.

\*Specifications may be modified without prior

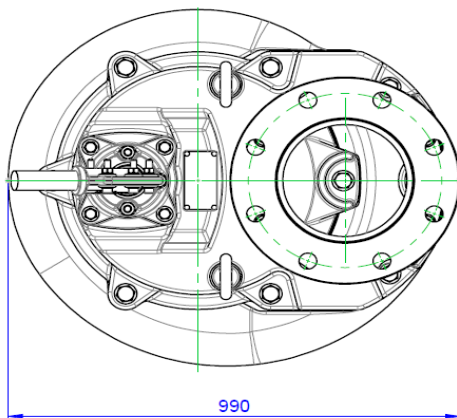
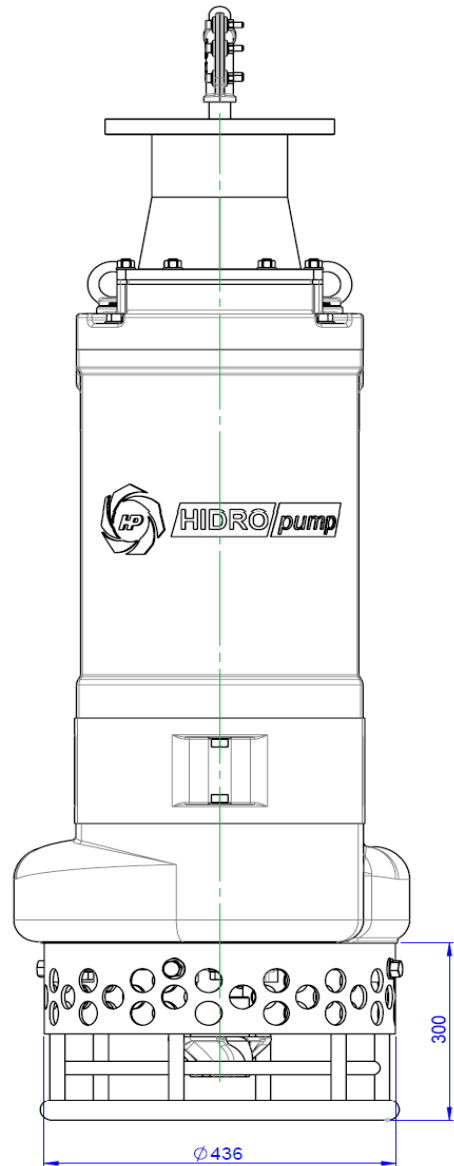
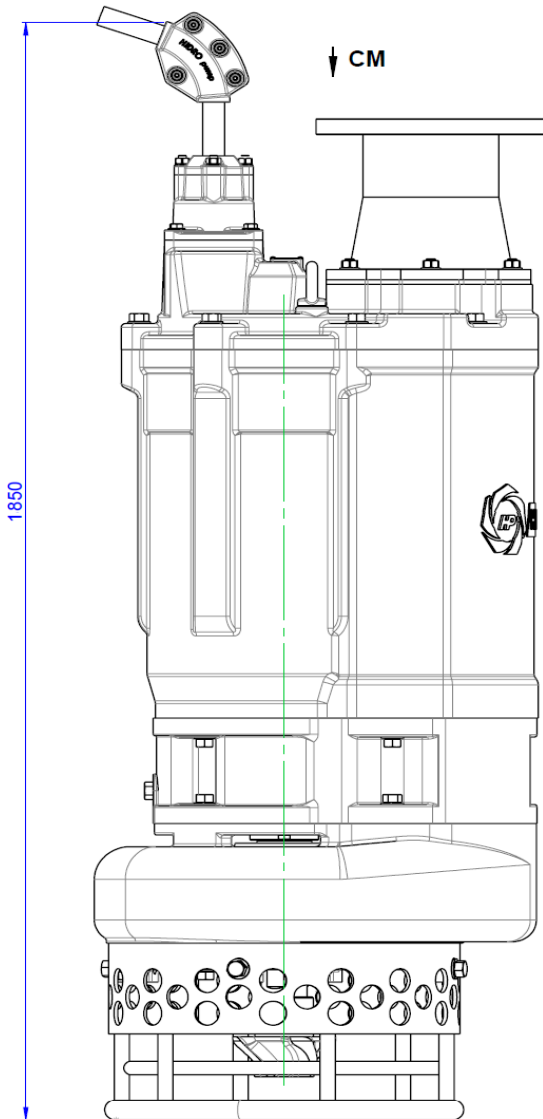
**50 Hz**

**Performance curves**



Curve: ISO 9906

**MD**



**VIEW CM**

**NOTE:**

- REFERENTIAL MEASURES.
- DESCHARGE ON REQUEST.