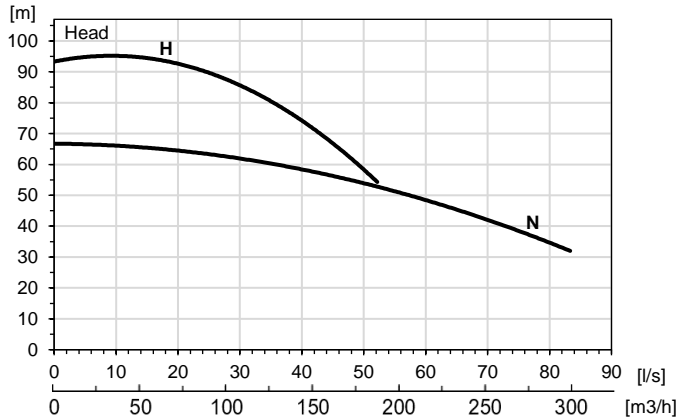


DESCRIPTION

50 Hz



*Referential image



50 Hz	H	N
Power , [kW / HP]	52 / 70	52 / 70
Voltage,V	380 / 400 / 500	380 / 400 / 500
Nominal current, A	85,9 / 82 / 65,3	85,9 / 82 / 65,3
Weight, kg	822	822
Max. height, mm	1524	1524
Max. width, mm	559	559
Discharge , in	6"	8"
Strainer opening Ø,mm	12	12

Electric submersible drainage pump, available in various aluminum and stainless-steel alloys. For applications in mines, power plants and other industries that handle abrasive solids and water.

Models:

N: Normal pressure.
H: High pressure.

Classification

Submersible electric pump

Electric motor

Three-phase squirrel cage motor.
Speed: 2950 RPM.
Insulation class: H.
Start: Star-Delta
Max. number of starts per hour :12

Motor protection

Thermo-contacts in the winding.
Protection: IP 68.

Cable

2 cables 4G16+ 2x1.5mm², 20m (*).

This pump must be connected to an external electrical cabinet with adequate protections.

Mechanical seals

Double mechanical seal in oil chamber and water.
Rotary seal material: silicon carbide.
Stationary seal material: silicon carbide.
Elastomers: Viton.

Bearings

Lower: Angular contact bearing.
Upper: Cylindrical roller bearing.

Discharge connection

6"- H, 8"-N. (*)

Limitations

Maximum submersion: 20 m.
Maximum liquid temperature: 40 °C (104°F).
Liquid pH range: 6 –11.

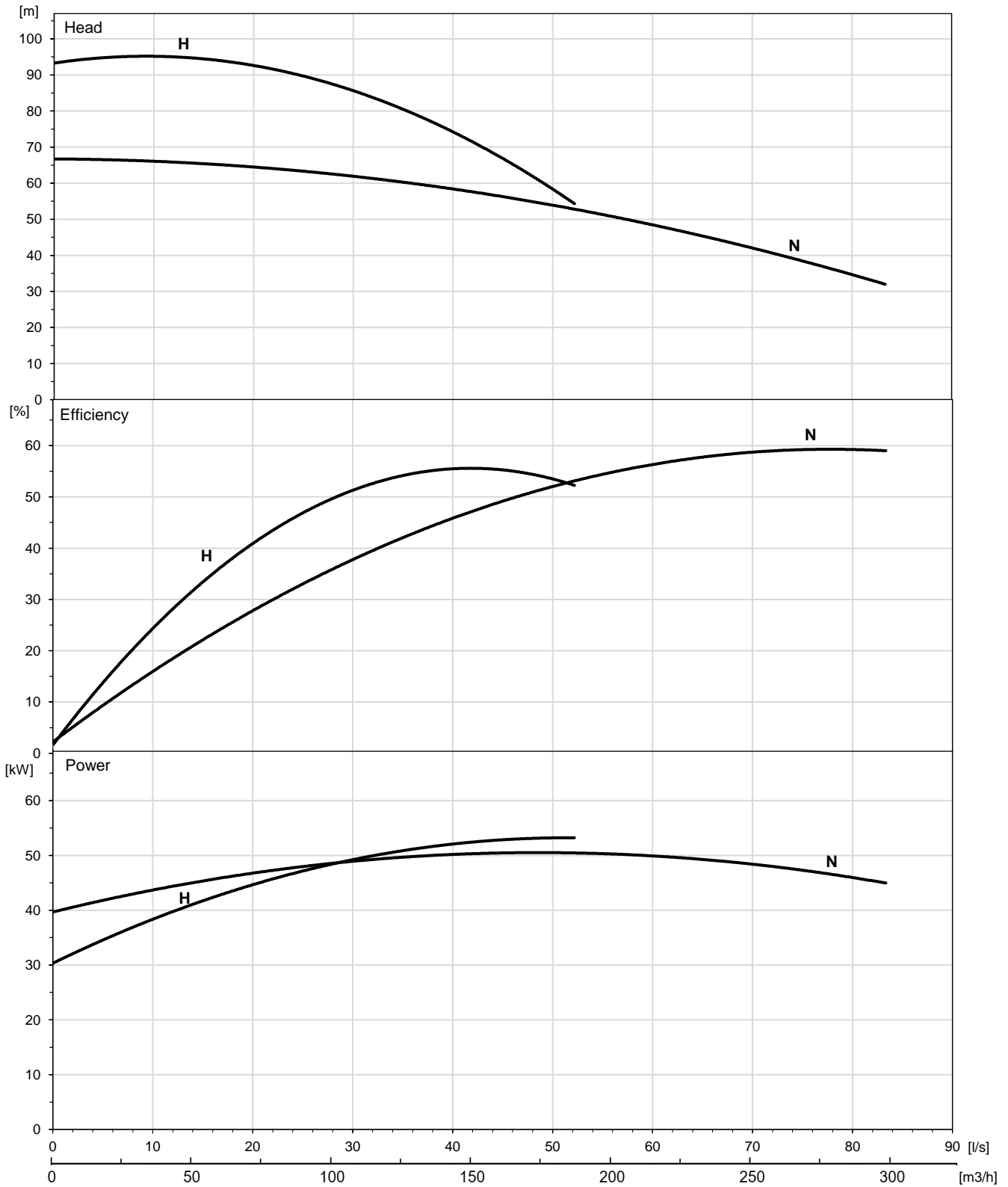
Available materials

Cover: Cast iron.
Cylinder: Carbon steel.
Strainer: Carbon steel.
Impeller : High chrome steel / Stainless steel.
Diffusers: Cast iron + PU / High chrome steel.
Shaft: AISI 431 Stainless steel.
Screws/Nuts: Stainless steel.

**Specifications may be modified without prior*

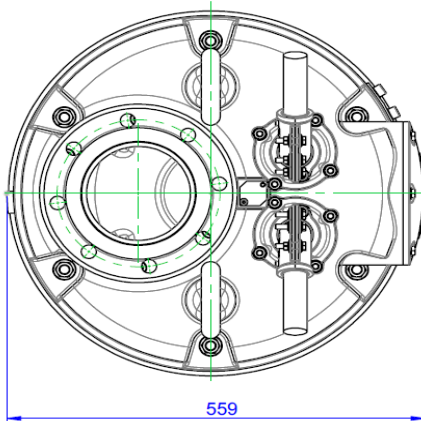
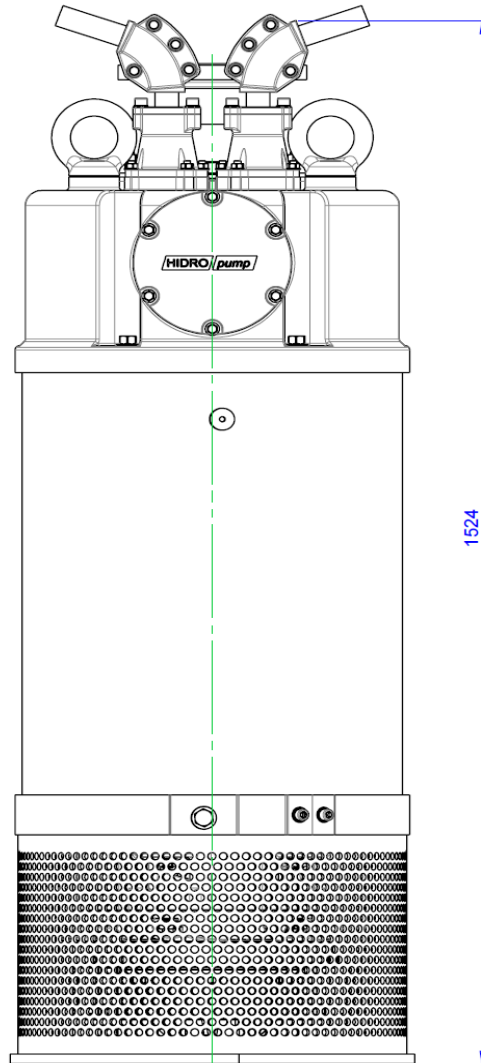
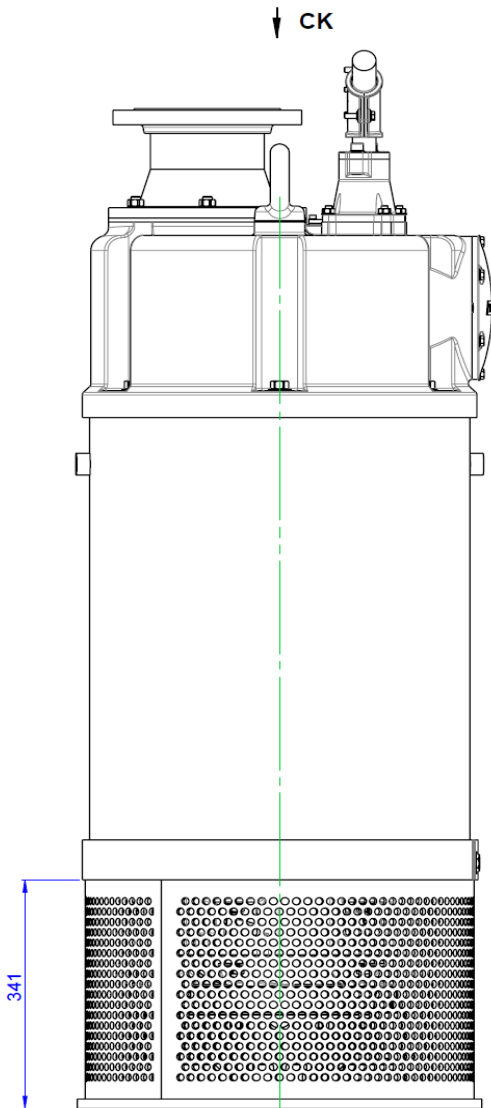
50 Hz

Performance curves



Curve: ISO 9906

H / N



VISTA CK

NOTE:
-REFERENTIAL MEASURES.
-DESCARGUE ON REQUEST.