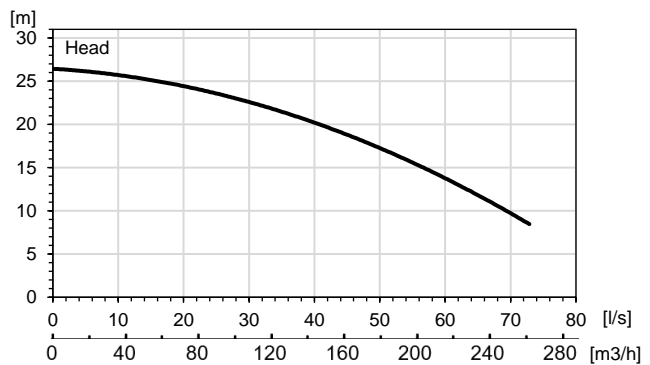


DESCRIPTION

50 Hz



*Referential image



50 Hz

MD

Power , [kW / HP]	[22 / 30]
Voltage,V	380 / 400 / 500
Nominal current, A	47 / 44,7 / 35,7
Weight, kg	520
Max. height, mm	1511
Max. width, mm	560
Discharge, in	4"-6"
Strainer opening Ø,mm	38

Electric submersible slurry pump, available in various cast iron and stainless-steel alloys. For applications in mines and industries that handle abrasive solids and slurries.

Model:
MD: Medium Duttty

Classification
Submersible slurry pump

Electric motor
Three-phase squirrel cage motor
Speed: 1450 RPM
Insulation class: H
Start: Direct
Max. number of starts per hour: 12

Motor protection
Thermo-contacts in the winding
Protection: IP 68

Cable
4G10 + 2x1.5mm², 20m. (*)

This pump must be connected to an external electrical cabinet with adequate protections.

Mechanical seals

Double mechanical seal in oil chamber.
Rotary seal material: silicon carbide.
Stationary seal material: silicon carbide.
Elastomers: Viton.

Discharge connection
4" – 6". (*)

Limitations

Maximum submersion: 20 m.
Maximum liquid temperature: 40 °C (104 °F)
Liquid pH range: 6 – 11.

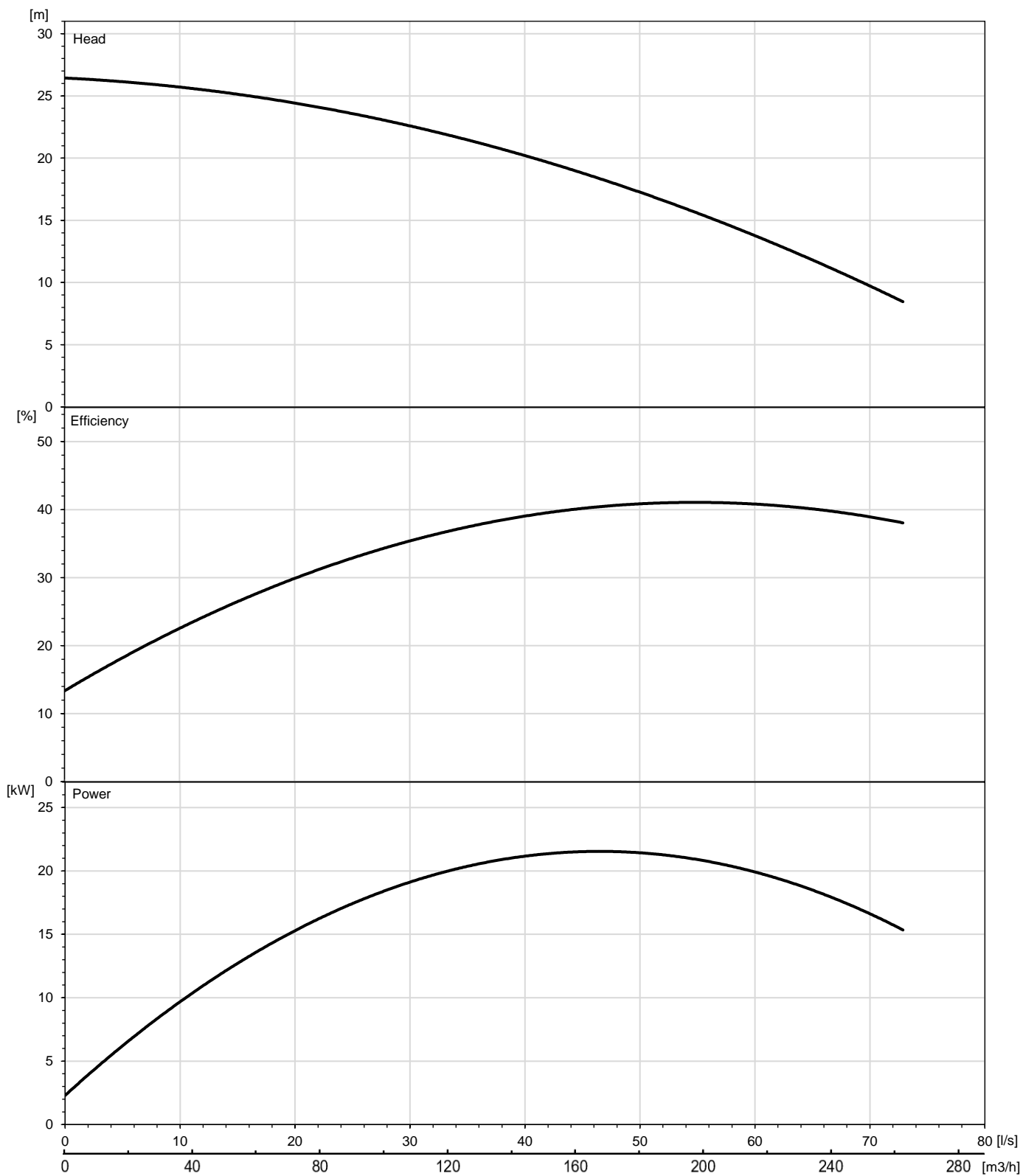
Available materials

Cover: Cast iron.
Strainer: Carbon steel.
Impeller: High chrome steel / Stainless steel.
Agitator: High chrome steel.
Wear plate: High chrome steel.
Cover suction: Cast iron.
Casing / volute: Cast iron.
Shaft: AISI 431 Stainless steel .
Screws / Nuts: Stainless steel.

*Specifications may be modified without prior notice

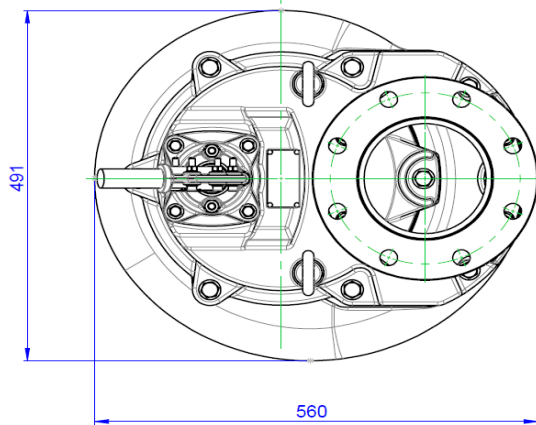
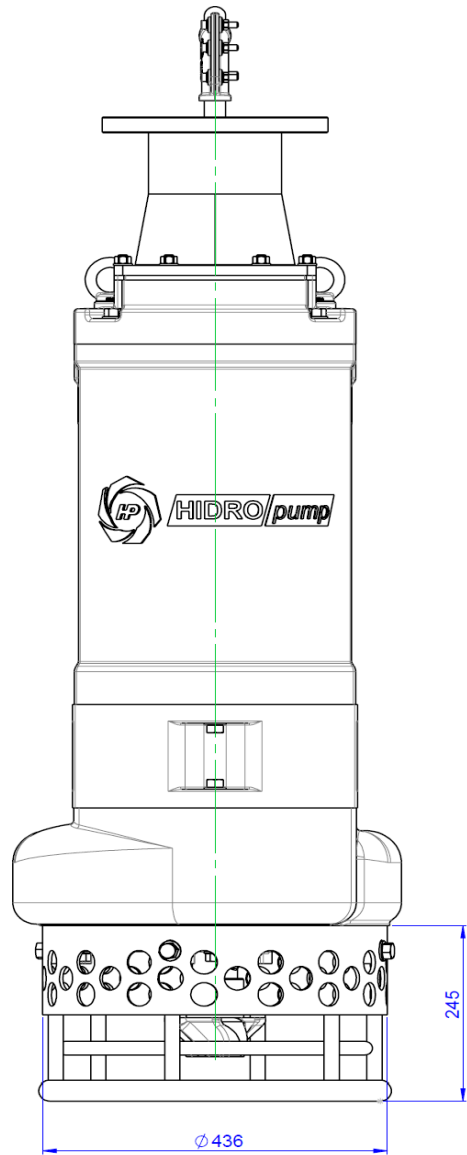
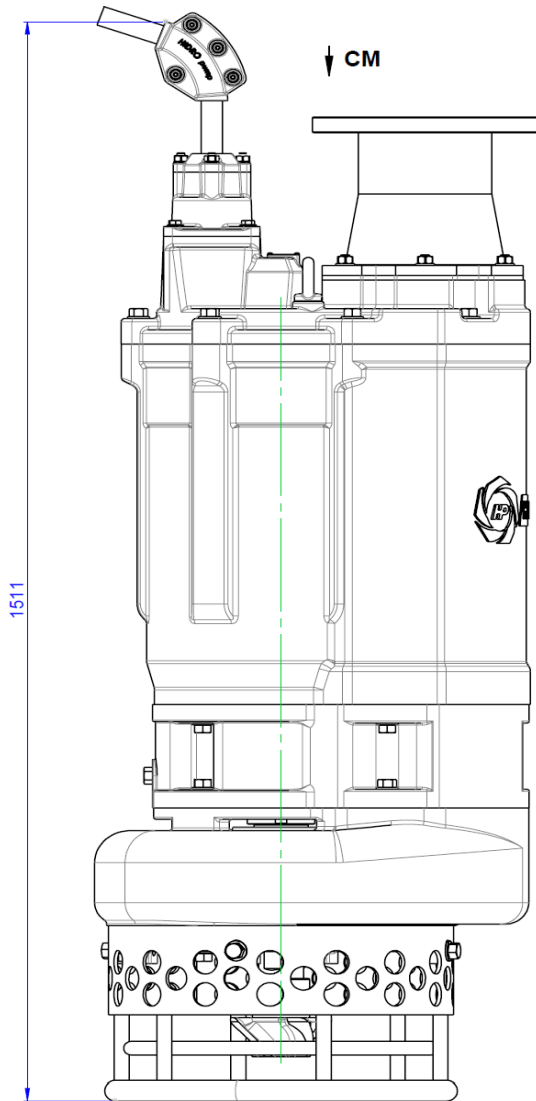
Performance curves

50 Hz



Curve: ISO 9906

MD



VISTA CM

NOTE:
-REFERENTIAL MEASURES.
-DESCHARGE ON REQUEST.